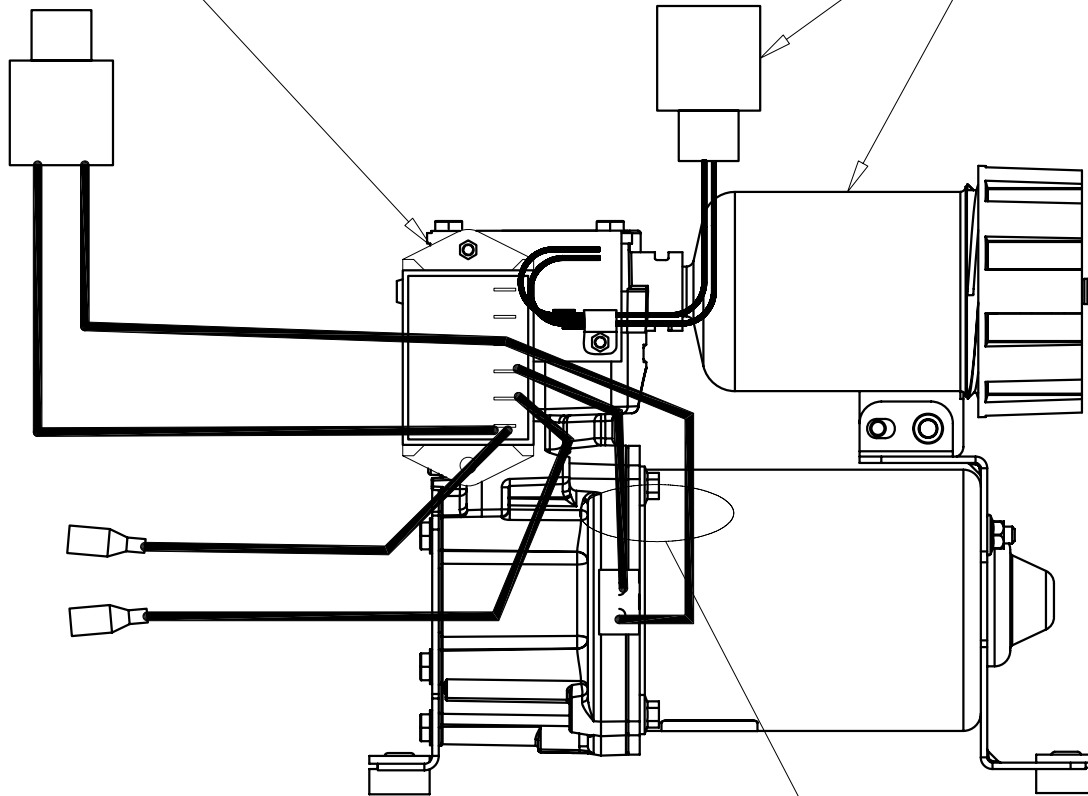


REMOVE MODULE
AND HARNESS TO
BE USED ON NEW
COMPRESSOR

AIR PURGE NOT
USED ON NEW
ASSEMBLY



REMOVE AIR
LINE

CUT WIRE LEADS FROM MOTOR

EXISTING 1980 COMPRESSOR

Equalizer

55169 COUNTY ROAD 3
ELKHART, IN 46515

#	REVISIONS	BY:	DATE:

UNLESS OTHERWISE
SPECIFIED:
TOLERANCES:
.XXX ± 0.010
.XX ± 0.010
.X ± 0.030
ANG. ± 1/2"
REMOVE ALL BURRS AND
SHARP EDGES .015 MAX

TITLE		USED ON:	
COMPRESSOR REPLACEMENT		EQ AIR LEVELING	
SIZE	SCALE	MATERIAL	
A	1:1		
DRW BY:	DATE:	PART NAME:	
SJ	6/27/11	7004-COMPRESSOR ASSY.	
APP'D BY	DATE:	PAGE:	DWG NO.:
		1 OF 2	7004R
			REV:

NOTICE - This drawing, including principles of design, is the property of Days Corporation, Elkhart, Indiana, with the agreement that it is not to be reproduced, copied, or loaned in any manner that may constitute a detriment directly or indirectly to Days Corporation. Acceptance of this will be construed as an agreement of the above.

