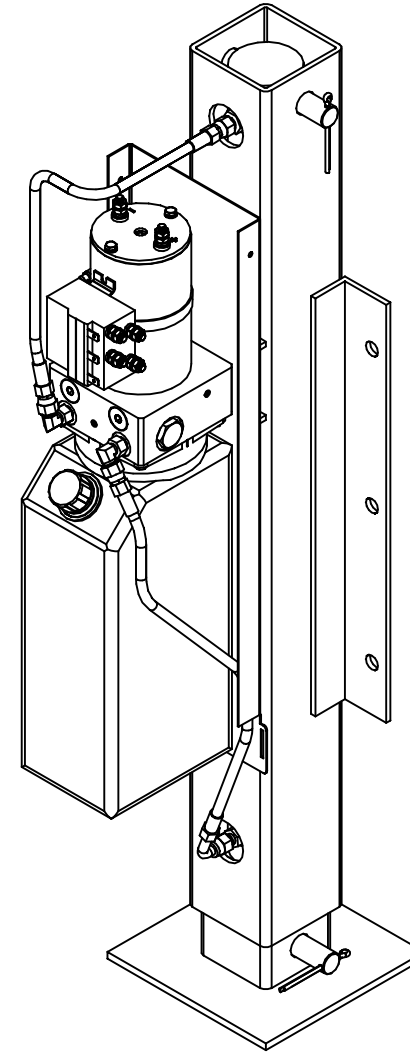
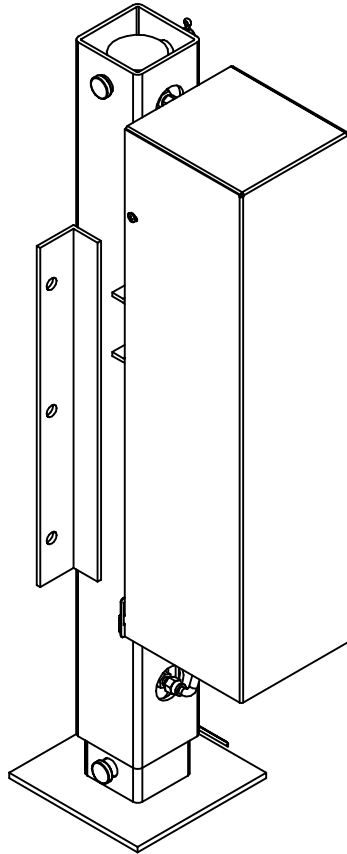


8470 PARTS LIST

PART#	DESCRIPTION	QUAN
6526	HARNES, CM/AM SINGLE SWT AND HRN 10'	1
7555-PH	AJ 24 S A-3284-PH	1
7733KS-PH	PUMP-SINGLE FUNC KS BIROT 101 3 QT-PHANTOM	1



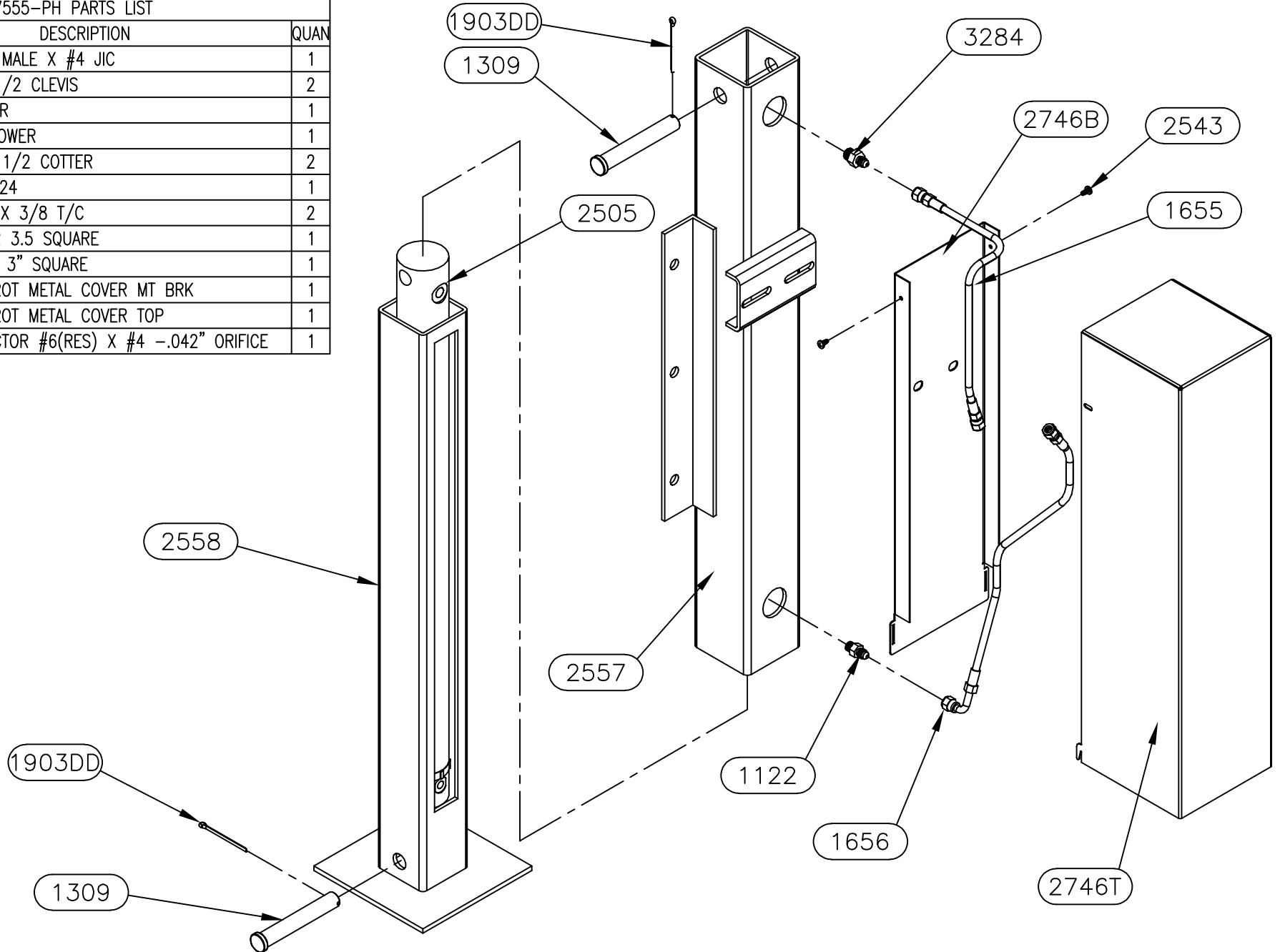
Warranty authorization must come directly from Equalizer Systems. (800) 846-9659.

SHOWN WITHOUT COVER

<p><i>Equalizer</i></p> <p>55169 COUNTY ROAD 3 ELKHART, IN 46515</p>	#	REVISIONS	BY:	DATE:	<p>UNLESS OTHERWISE SPECIFIED: TOLERANCES: .XXX ± 0.010 .XX ± 0.010 .X ± 0.030 ANG. ± 1/2"</p> <p>REMOVE ALL BURRS AND SHARP EDGES .015 MAX</p>	TITLE	USED ON:	
	A	Changed to pump to 3201KS	SJ	2/10/17		AJ 7,500 ASSEMBLY	TOWABLES	
<p>NOTICE - This drawing, including principles of design, is the property of Days Corporation, Elkhart, Indiana, with the agreement that it is not to be reproduced, copied, or loaned in any manner that may constitute a detriment directly or indirectly to Days Corporation. Acceptance of this will be construed as an agreement of the above.</p>					SIZE	SCALE	MATERIAL	
					A	1:1	HOT ROLLED STEEL	
					DRW BY:	DATE:	PART NAME:	
					SJ	5/15/12	AJ 1/24 S BR A	
				APP'D BY	DATE:	PAGE:	DWG NO.:	REV:
				-	-	1 OF 5	P8470	A

7555-PH PARTS LIST

PART#	DESCRIPTION	QUAN
1122	FITTING-#4 OR MALE X #4 JIC	1
1309	PIN-3/4 X 4 1/2 CLEVIS	2
1655	HOSE-AM UPPER	1
1656	HOSE-AM 20 LOWER	1
1903DD	PIN-5/32 X 2 1/2 COTTER	2
2505	CYLINDER-2 X 24	1
2543	SCREW-10-32 X 3/8 T/C	2
2557	TUBE-AJ OUTER 3.5 SQUARE	1
2558	TUBE-AJ INNER 3" SQUARE	1
2746B	COVER-MINI BIROT METAL COVER MT BRK	1
2746T	COVER-MINI BIROT METAL COVER TOP	1
3284	FITTING-RESTRICTOR #6(RES) X #4 -.042" ORIFICE	1



Equalizer

55169 COUNTY ROAD 3
ELKHART, IN 46515

#	REVISIONS	BY:	DATE:
A	Changed to pump to 3201KS	SJ	2/10/17

UNLESS OTHERWISE SPECIFIED:
TOLERANCES:
.XXX ± 0.010
.XX ± 0.010
.X ± 0.030
ANG. ± 1/2"
REMOVE ALL BURRS AND SHARP EDGES .015 MAX

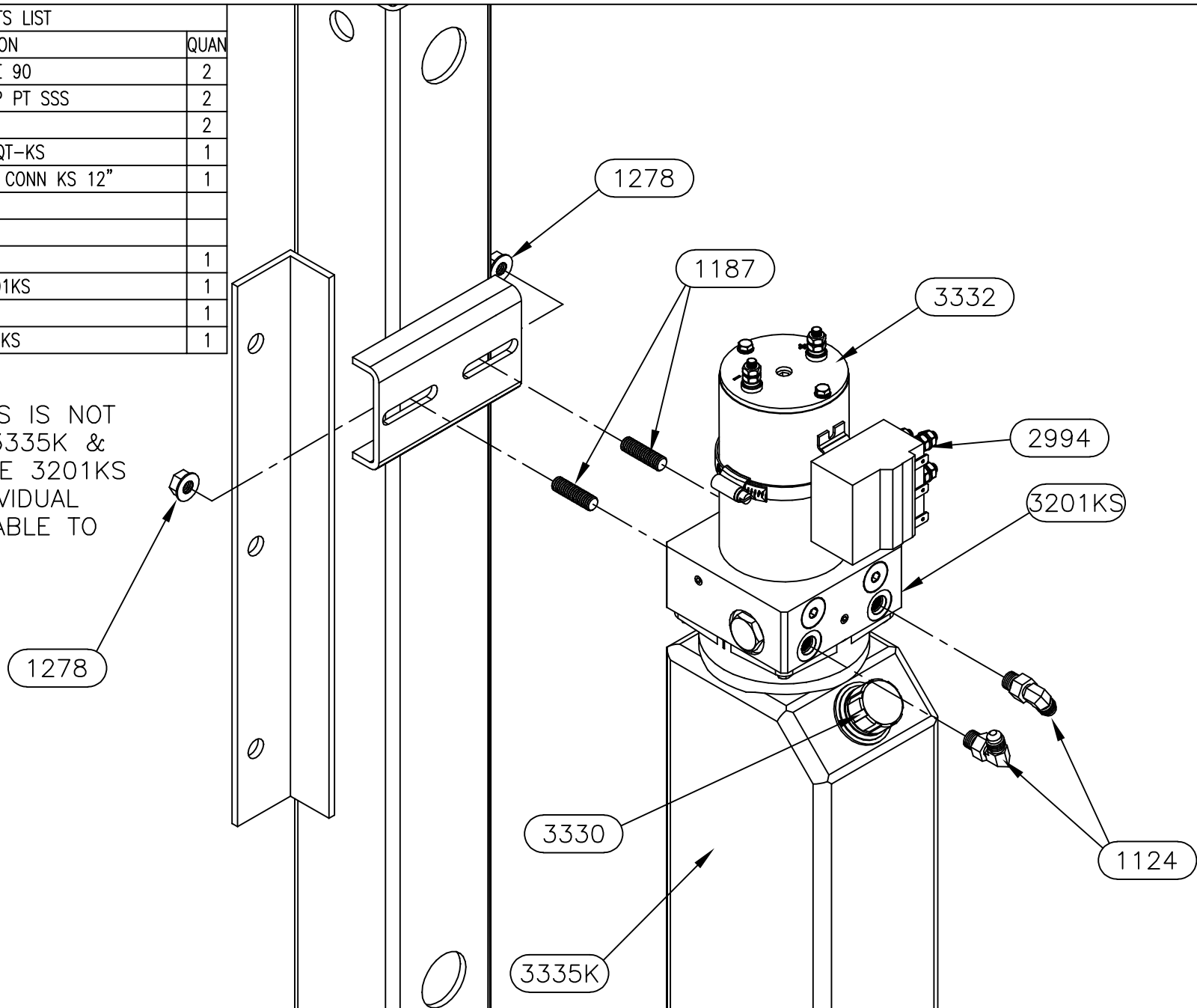
TITLE		USED ON:	
AJ 7,500 ASSEMBLY		TOWABLES	
SIZE	SCALE	MATERIAL	
A	1:1	HOT ROLLED STEEL	
DRW BY:	DATE:	PART NAME:	
SJ	5/15/12	AJ 1/24 S BR A	
APP'D BY	DATE:	PAGE:	DWG NO.:
-	-	2 OF 5	P8470
			REV:
			A

NOTICE - This drawing, including principles of design, is the property of Days Corporation, Elkhart, Indiana, with the agreement that it is not to be reproduced, copied, or loaned in any manner that may constitute a detriment directly or indirectly to Days Corporation. Acceptance of this will be construed as an agreement of the above.

7733KS-PH PARTS LIST

PART#	DESCRIPTION	QUAN
1124	FITTING-#4 JIC X #4 OR MALE 90	2
1187	SCREW-3/8-16 X 1 1/4 CUP PT SSS	2
1278	NUT-3/8 FLANGE	2
3201KS	PUMP-MINI BR-3" MOTOR-3 QT-KS	1
6539KS	HARNESS, SINGLE FUNC PUMP CONN KS 12"	1
2994	CONTACTOR-REVERSING	1
3330	CAP-FILL-3195K-3200KS-3201KS	1
3335K	RESERVOIR KIT-3201KS	1
3332	MOTOR-3195KS-3200KS-3201KS	1

NOTE: 6539KS HARNESS IS NOT SHOWN. 2994, 3330, 3335K & 3332 ARE PART OF THE 3201KS PUMP. THESE ARE INDIVIDUAL PARTS THAT ARE AVAILABLE TO PURCHASE.



Equalizer

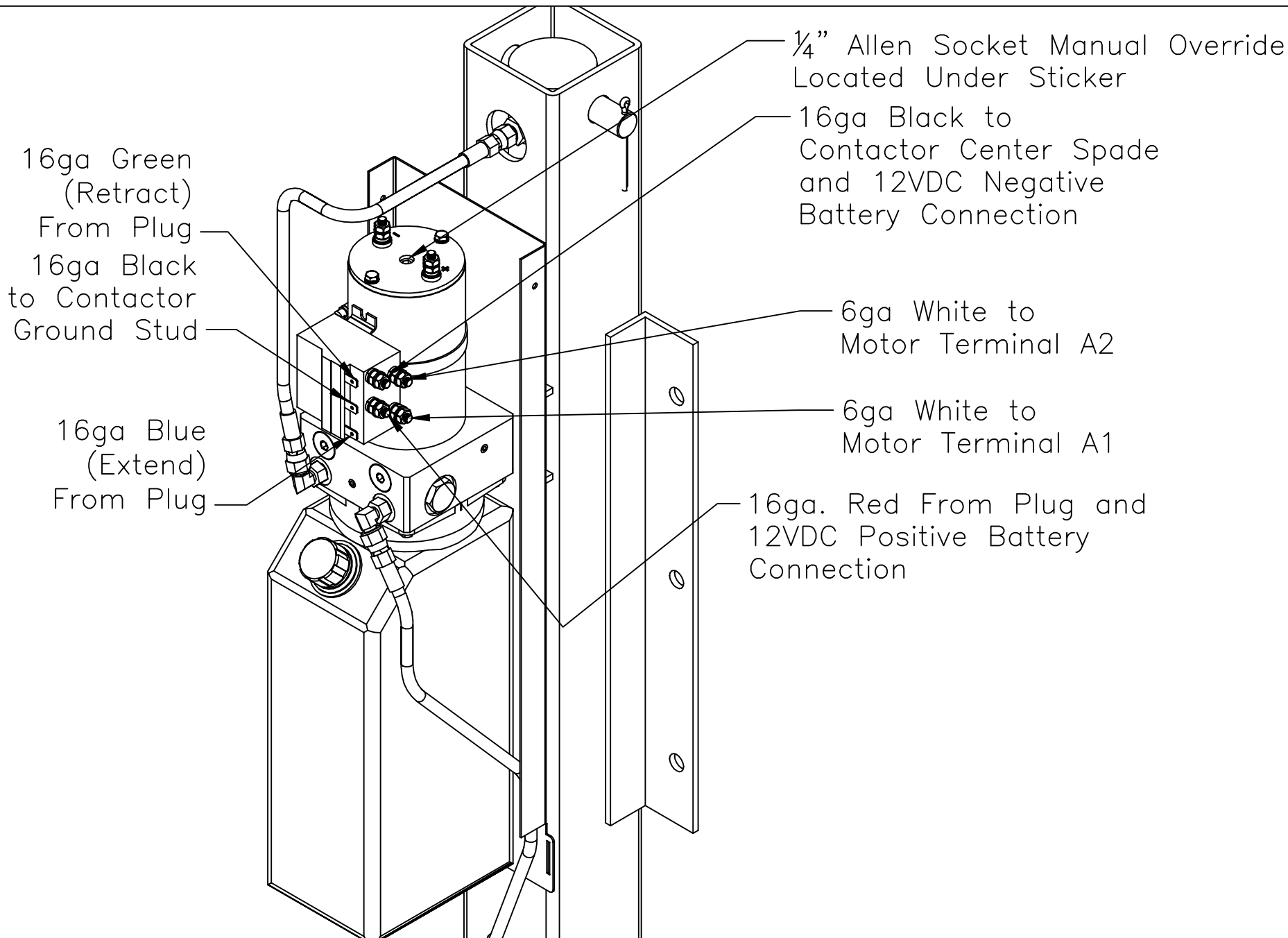
55169 COUNTY ROAD 3
ELKHART, IN 46515

#	REVISIONS	BY:	DATE:
A	Changed to pump to 3201KS	SJ	2/10/17

UNLESS OTHERWISE SPECIFIED:
TOLERANCES:
.XXX ± 0.010
.XX ± 0.010
.X ± 0.030
ANG. ± 1/2"
REMOVE ALL BURRS AND SHARP EDGES .015 MAX

TITLE		USED ON:	
AJ 7,500 ASSEMBLY		TOWABLES	
SIZE	SCALE	MATERIAL	
A	1:1	HOT ROLLED STEEL	
DRW BY:	DATE:	PART NAME:	
SJ	5/15/12	AJ 1/24 S BR A	
APP'D BY:	DATE:	PAGE:	DWG NO.:
-	-	3 OF 5	P8470
			REV:
			A

NOTICE - This drawing, including principles of design, is the property of Days Corporation, Elkhart, Indiana, with the agreement that it is not to be reproduced, copied, or loaned in any manner that may constitute a detriment directly or indirectly to Days Corporation. Acceptance of this will be construed as an agreement of the above.



Equalizer

55169 COUNTY ROAD 3
ELKHART, IN 46515

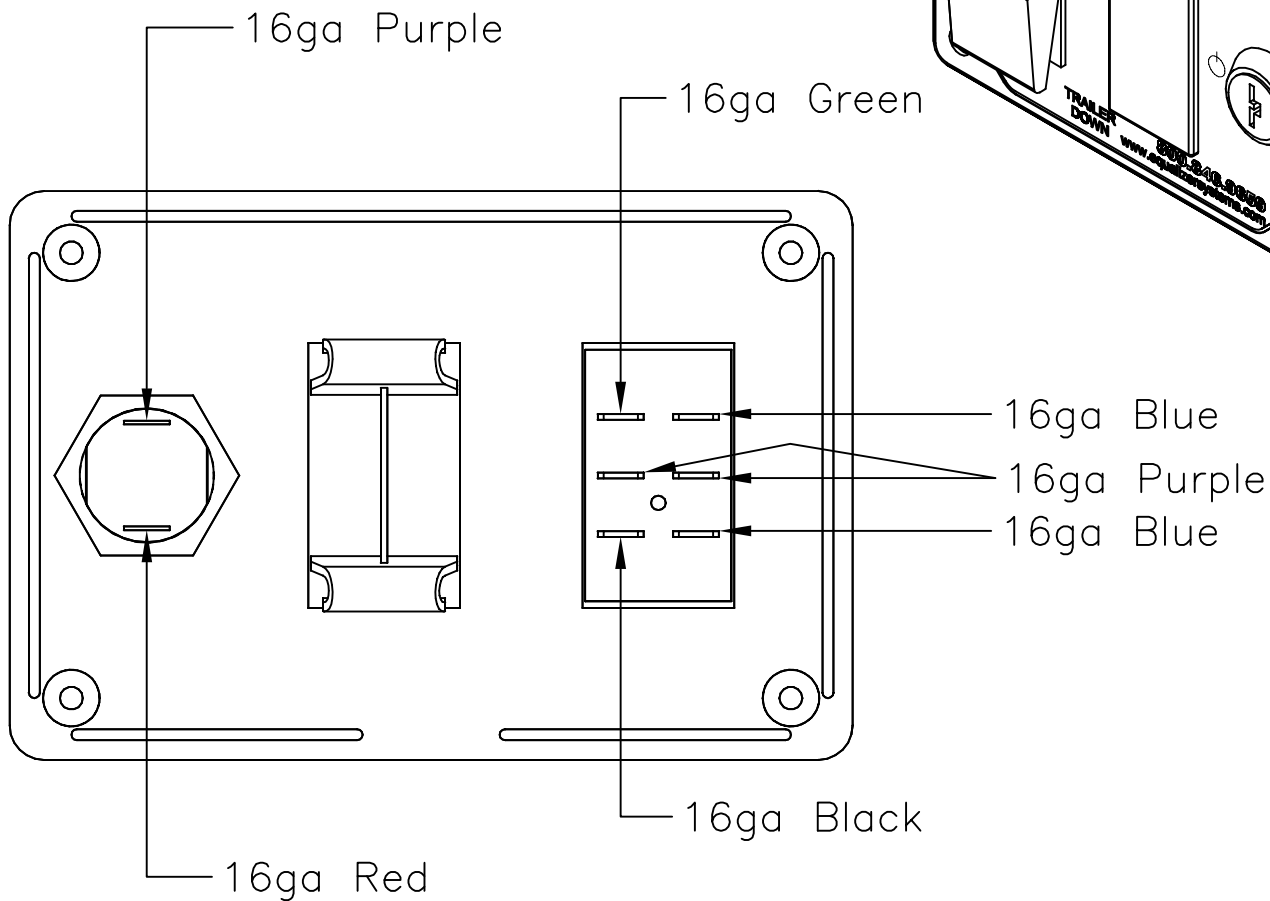
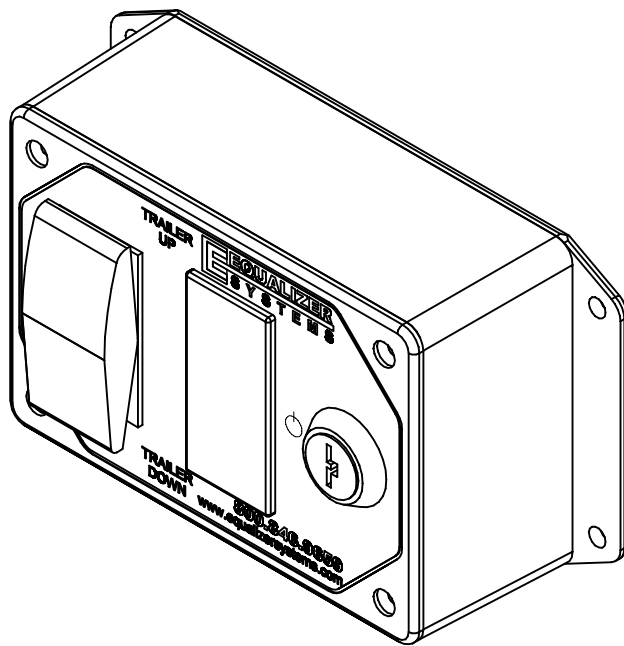
#	REVISIONS	BY:	DATE:
A	Changed to pump to 3201KS	SJ	2/10/17

UNLESS OTHERWISE SPECIFIED:
TOLERANCES:
.XXX ± 0.010
.XX ± 0.010
.X ± 0.030
ANG. ± 1/2"
REMOVE ALL BURRS AND SHARP EDGES .015 MAX

TITLE			USED ON:		
AJ 7,500 ASSEMBLY			TOWABLES		
SIZE	SCALE	MATERIAL			
A	1:1	HOT ROLLED STEEL			
DRW BY:	DATE:	PART NAME:			
SJ	5/15/12	AJ 1/24 S BR A			
APP'D BY	DATE:	PAGE:	DWG NO.:	REV:	
-	-	4 OF 5	P8470	A	

NOTICE - This drawing, including principles of design, is the property of Days Corporation, Elkhart, Indiana, with the agreement that it is not to be reproduced, copied, or loaned in any manner that may constitute a detriment directly or indirectly to Days Corporation. Acceptance of this will be construed as an agreement of the above.

6526 SWITCH GEAR INTERNAL WIRING



Equalizer

55169 COUNTY ROAD 3
ELKHART, IN 46515

#	REVISIONS	BY:	DATE:
A	Changed to pump to 3201KS	SJ	2/10/17

UNLESS OTHERWISE SPECIFIED:
TOLERANCES:
.XXX ± 0.010
.XX ± 0.010
.X ± 0.030
ANG. ± 1/2"
REMOVE ALL BURRS AND SHARP EDGES .015 MAX

TITLE		USED ON:	
AJ 7,500 ASSEMBLY		TOWABLES	
SIZE	SCALE	MATERIAL	
A	1:1	HOT ROLLED STEEL	
DRW BY:	DATE:	PART NAME:	
SJ	5/15/12	AJ 1/24 S BR A	
APP'D BY:	DATE:	PAGE:	DWG NO.:
-	-	5 OF 5	P8470
			REV:
			A

NOTICE - This drawing, including principles of design, is the property of Days Corporation, Elkhart, Indiana, with the agreement that it is not to be reproduced, copied, or loaned in any manner that may constitute a detriment directly or indirectly to Days Corporation. Acceptance of this will be construed as an agreement of the above.