

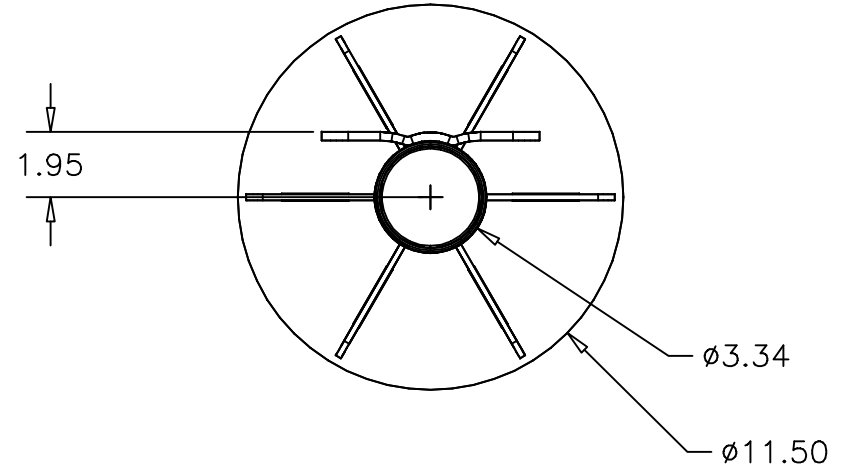
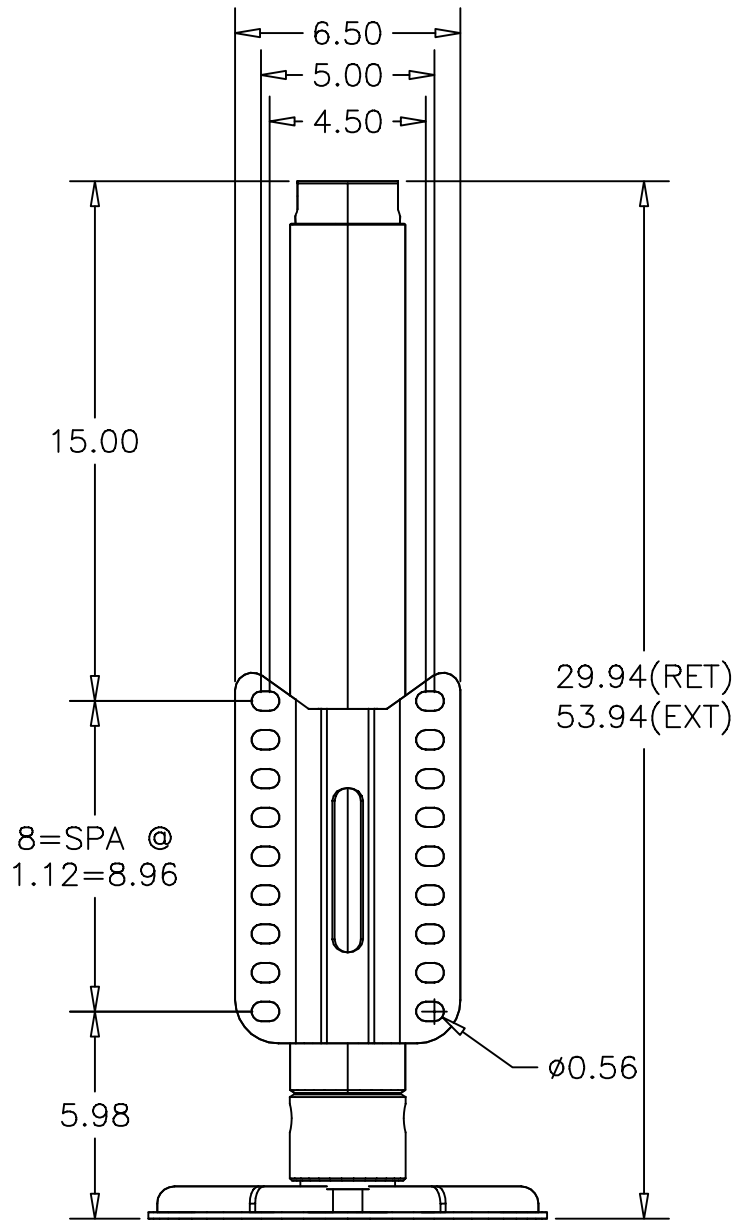
## TABLE OF CONTENTS

FUZION / FUZION IMPACT TRIPLE AXLE		2
FUZION / FUZION IMPACT DUAL AXLE		3
Jack Drawings	(70217, 7636)	4-7
Pump	(70209)	8-12
Hose Kits	(70155, 70260)	13-16
Schematic	(8790 / 8842)	17









*Equalizer*

55169 COUNTY ROAD 3  
ELKHART, IN 46515

#	REVISIONS	BY:	DATE:

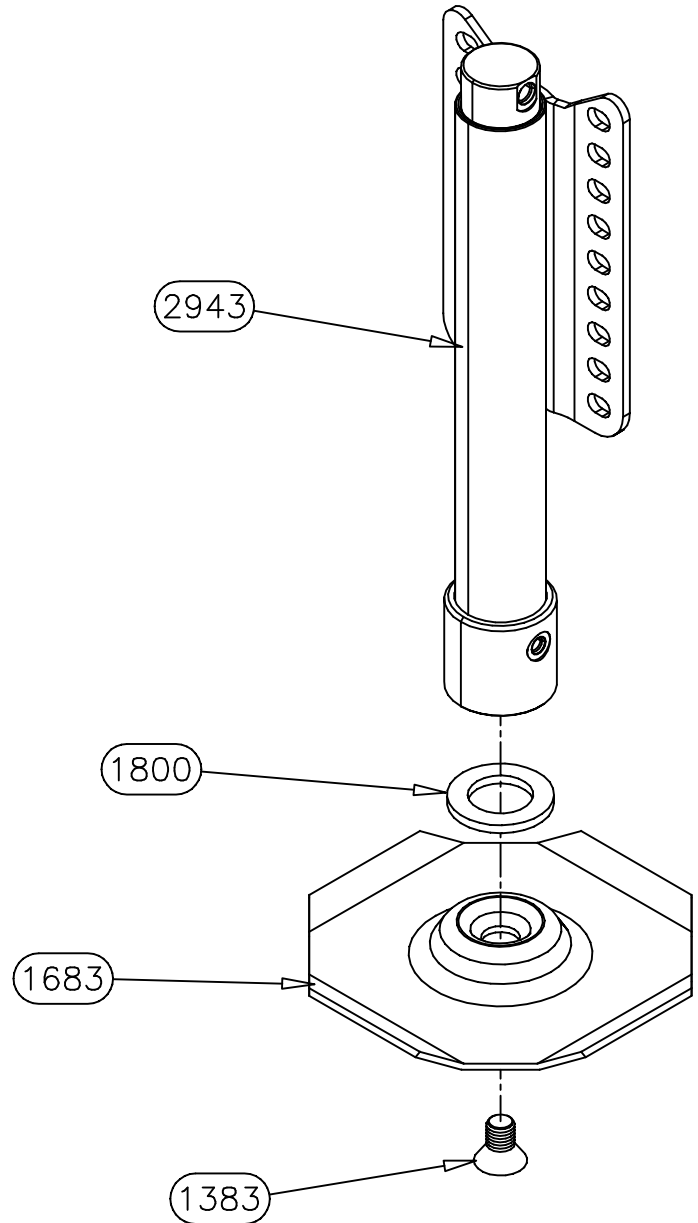
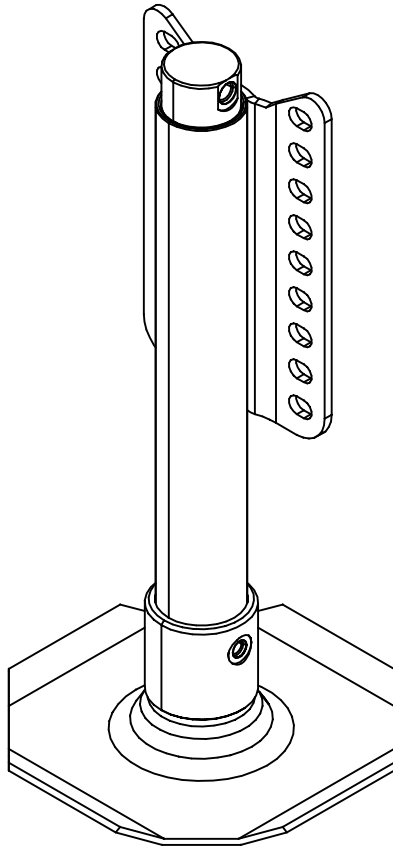
UNLESS OTHERWISE SPECIFIED:  
TOLERANCES:  
.XXX ± 0.010  
.XX ± 0.010  
.X ± 0.030  
ANG. ± 1/2"  
REMOVE ALL BURRS AND SHARP EDGES .015 MAX

TITLE			USED ON:		
SL 24 LEG ASSEMBLY			TRAILER LEVELING SYSTEMS		
SIZE	SCALE	MATERIAL	PER ITEM LIST		
A	N/A	PER	ITEM LIST		
DRW BY:	DATE:	PART NAME:			
SJ	5/15/19	SL 24 A-17K			
APP'D BY:	DATE:	PAGE:	DWG NO.:	REV:	
-	-	2 OF 2	70217	-	-

NOTICE - This drawing, including principles of design, is the property of Days Corporation, Elkhart, Indiana, with the agreement that it is not to be reproduced, copied, or loaned in any manner that may constitute a detriment directly or indirectly to Days Corporation. Acceptance of this will be construed as an agreement of the above.

7636 PARTS LIST

PART#	DESCRIPTION	QUAN
1383	SCREW-3/4-10 X 1 1/4 FHSCS Z	1
1683	FOOT-SL 10 X 10	1
1800	CUSHION-DAMPENING RING-SMALL/THICK	1
2943	CYLINDER-2 X 15 SL	1



*Equalizer*

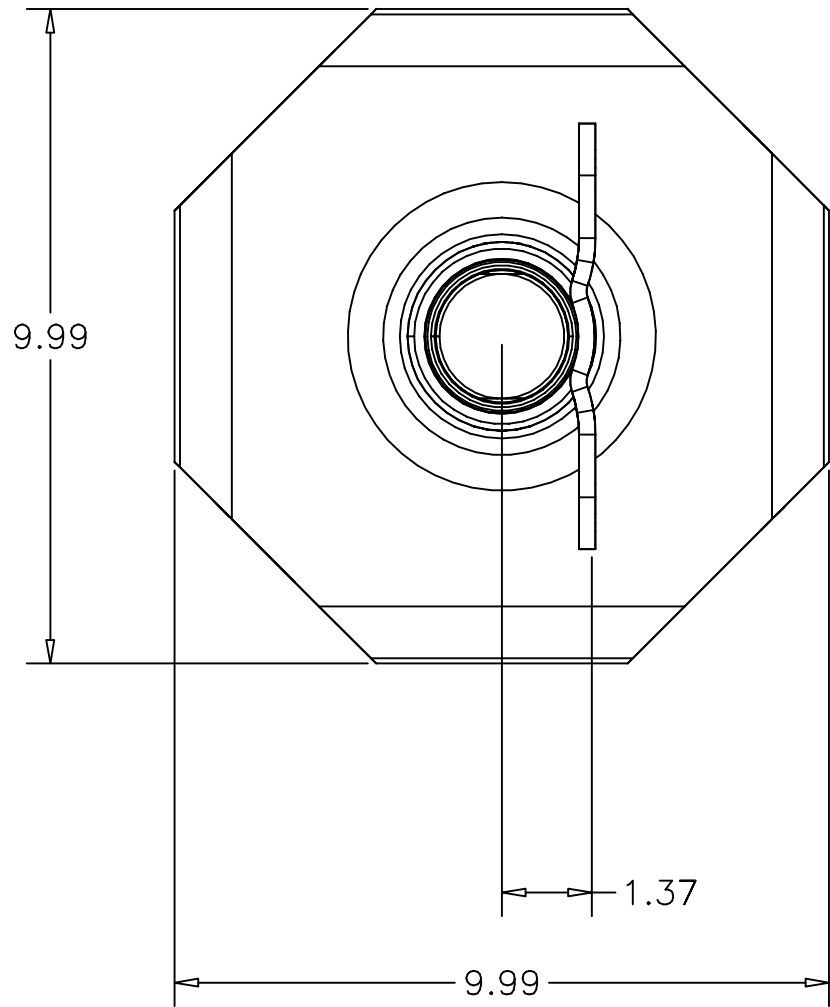
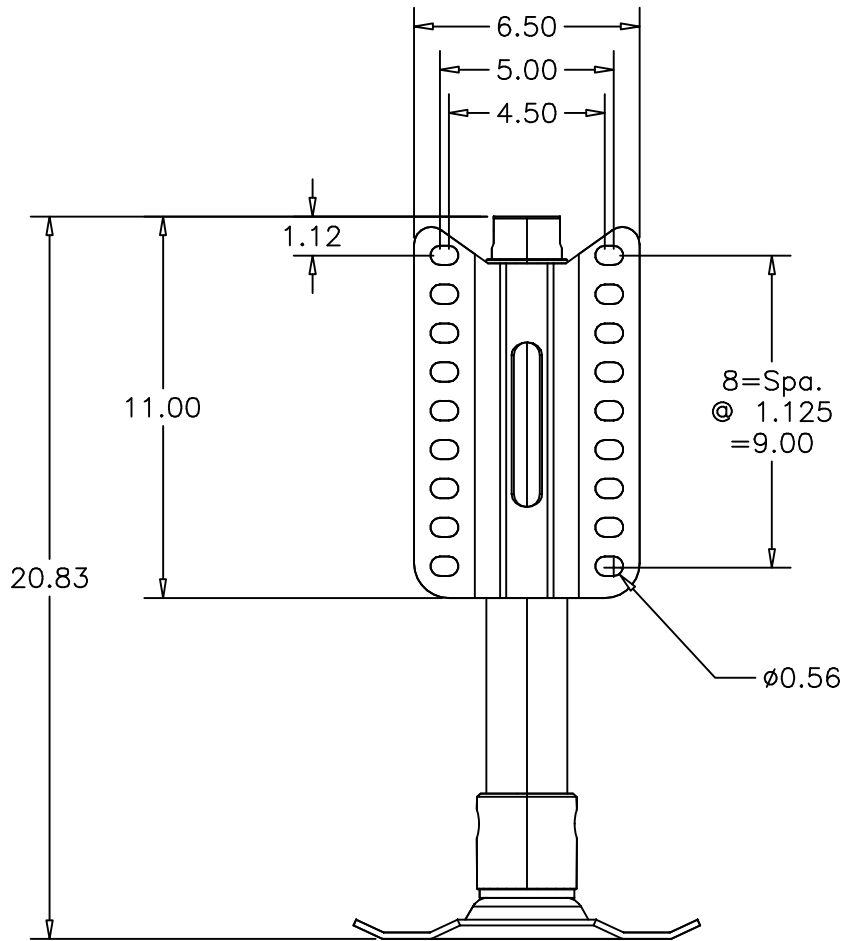
55169 COUNTY ROAD 3  
ELKHART, IN 46515

#	REVISIONS	BY:	DATE:
A	ADDED NEW FOOT DESIGN	SJ	9/10/10
B	CHANGED TO MONARCH CYLINDER	SJ	8/28/17

UNLESS OTHERWISE SPECIFIED:  
TOLERANCES:  
.XXX ± 0.010  
.XX ± 0.010  
.X ± 0.030  
ANG. ± 1/2"  
REMOVE ALL BURRS AND SHARP EDGES .015 MAX

TITLE MH 15 SL LEG ASSEMBLY		USED ON: MOTOR HOME LEVELING	
SIZE A	SCALE 1:1	MATERIAL AS NOTED	
DRW BY: SJ	DATE: 6/4/09	PART NAME: MH 15 SL LEG ASSEMBLY	
APP'D BY: -	DATE: -	PAGE: 1 OF 2	DWG NO.: 7636
			REV: B

NOTICE - This drawing, including principles of design, is the property of Days Corporation, Elkhart, Indiana, with the agreement that it is not to be reproduced, copied, or loaned in any manner that may constitute a detriment directly or indirectly to Days Corporation. Acceptance of this will be construed as an agreement of the above.



*Equalizer*

55169 COUNTY ROAD 3  
ELKHART, IN 46515

#	REVISIONS	BY:	DATE:
A	ADDED NEW FOOT DESIGN	SJ	9/10/10
B	CHANGED TO MONARCH CYLINDER	SJ	8/28/17

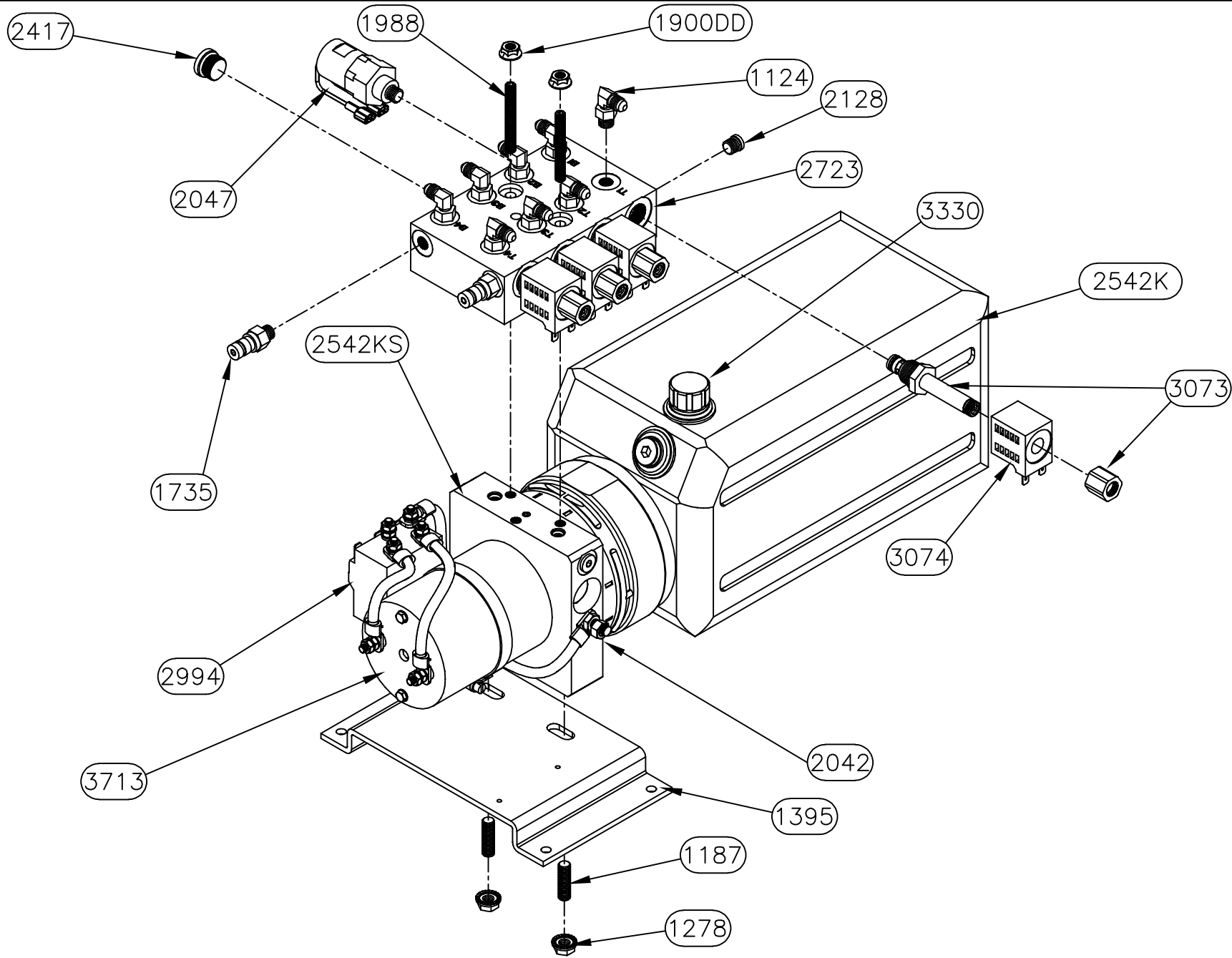
UNLESS OTHERWISE SPECIFIED:  
TOLERANCES:  
.XXX ± 0.010  
.XX ± 0.010  
.X ± 0.030  
ANG. ± 1/2"  
REMOVE ALL BURRS AND SHARP EDGES .015 MAX

TITLE			USED ON:	
MH 15 SL LEG ASSEMBLY			MOTOR HOME LEVELING	
SIZE	SCALE	MATERIAL	NOTED	
A	1:1	AS		
DRW BY:	DATE:	PART NAME:		
SJ	6/4/09	MH 15 SL LEG ASSEMBLY		
APP'D BY:	DATE:	PAGE:	DWG NO.:	REV:
-	-	2 OF 2	7636	B

NOTICE - This drawing, including principles of design, is the property of Days Corporation, Elkhart, Indiana, with the agreement that it is not to be reproduced, copied, or loaned in any manner that may constitute a detriment directly or indirectly to Days Corporation. Acceptance of this will be construed as an agreement of the above.







*Equalizer*

55169 COUNTY ROAD 3  
ELKHART, IN 46515

NOTICE - This drawing, including principles of design, is the property of Days Corporation, Elkhart, Indiana, with the agreement that it is not to be reproduced, copied, or loaned in any manner that may constitute a detriment directly or indirectly to Days Corporation. Acceptance of this will be construed as an agreement of the above.

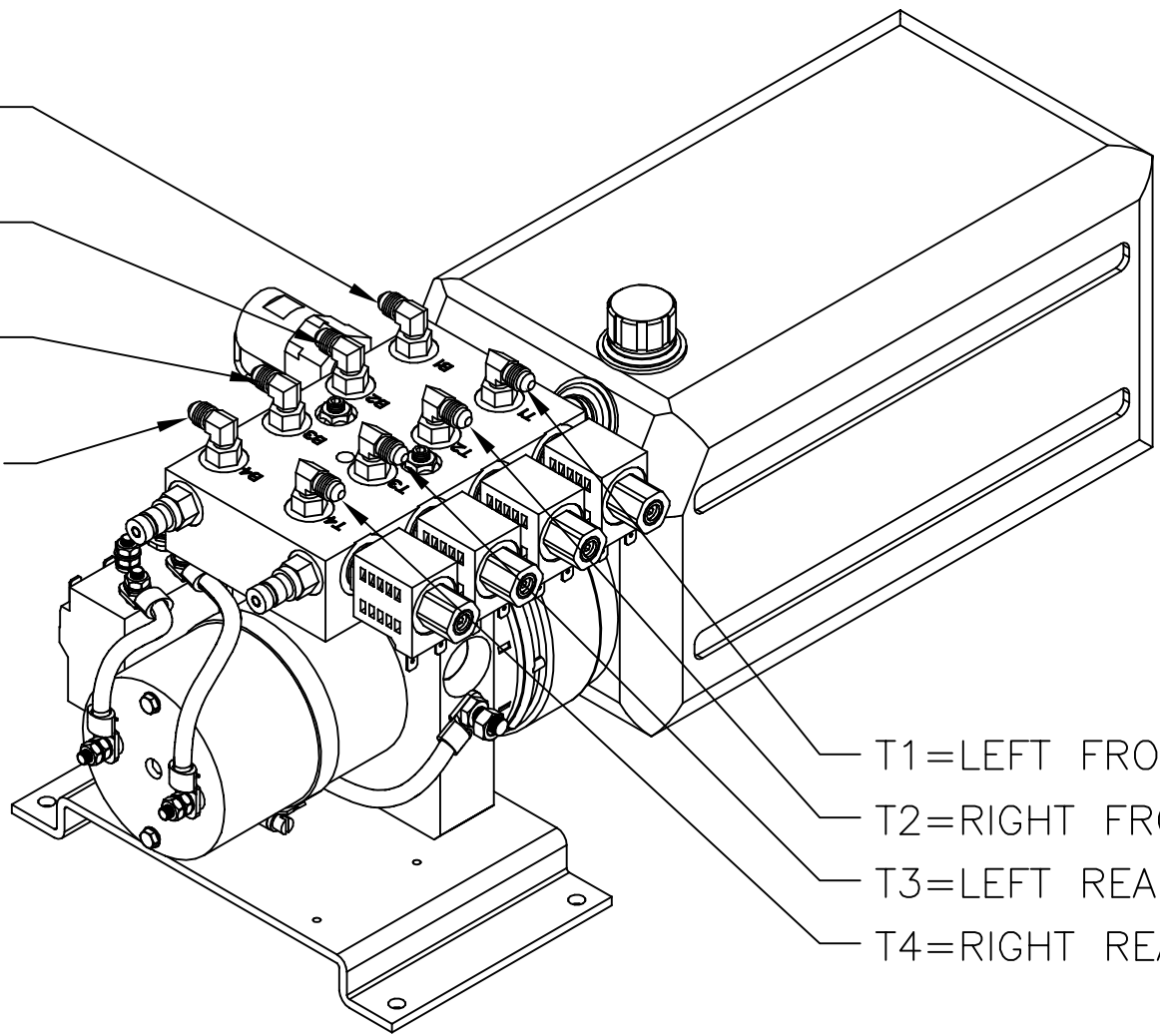
#	REVISIONS	BY:	DATE:

UNLESS OTHERWISE SPECIFIED:  
TOLERANCES:  
.XXX ± 0.010  
.XX ± 0.010  
.X ± 0.030  
ANG. ± 1/2"  
REMOVE ALL BURRS AND SHARP EDGES .015 MAX

TITLE		USED ON:	
4 FUNC. BIROT. PUMP ASSEMBLY		TRAILER AUTOLEVEL	
SIZE	SCALE	MATERIAL	NOTED
A	1:1	AS	
DRW BY:	DATE:	PART NAME:	
SJ	2/26/20	PUMP & MAN 4 FUN BR MOS-KEY	
APP'D BY:	DATE:	PAGE:	DWG NO.:
-	-	2 OF 5	P0209
			REV:
			-

# HYDRAULIC HOSE CONNECTIONS

- B1=LEFT FRONT JACK  
(BROWN/BLACK)
- B2=RIGHT FRONT JACK  
(WHITE/BLACK)
- B3=LEFT REAR JACK  
(ORANGE/BLACK)
- B4=RIGHT REAR JACK  
(YELLOW/BLACK)



- T1=LEFT FRONT JACK (BROWN)
- T2=RIGHT FRONT JACK (WHITE)
- T3=LEFT REAR JACK (ORANGE)
- T4=RIGHT REAR JACK (YELLOW)

*Equalizer*

55169 COUNTY ROAD 3  
ELKHART, IN 46515

#	REVISIONS	BY:	DATE:

UNLESS OTHERWISE SPECIFIED:  
TOLERANCES:  
.XXX ± 0.010  
.XX ± 0.010  
.X ± 0.030  
ANG. ± 1/2"  
REMOVE ALL BURRS AND SHARP EDGES .015 MAX

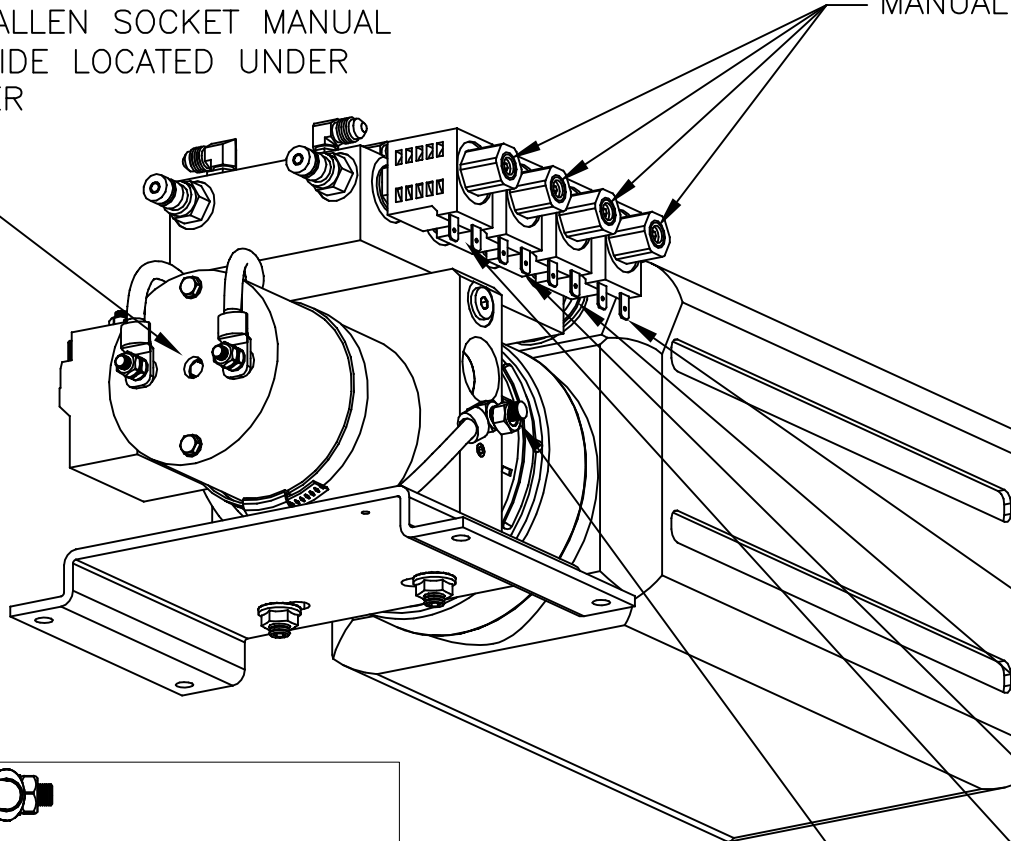
TITLE 4 FUNC. BIROT. PUMP ASSEMBLY		USED ON: TRAILER AUTOLEVEL	
SIZE A	SCALE 1:1	MATERIAL AS NOTED	
DRW BY: SJ	DATE: 2/26/20	PART NAME: PUMP & MAN 4 FUN BR MOS-KEY	
APP'D BY: -	DATE: -	PAGE: 3 OF 5	DWG NO.: PO209
			REV: -

NOTICE - This drawing, including principles of design, is the property of Days Corporation, Elkhart, Indiana, with the agreement that it is not to be reproduced, copied, or loaned in any manner that may constitute a detriment directly or indirectly to Days Corporation. Acceptance of this will be construed as an agreement of the above.

# 7936KS PUMP WIRING

1/4" ALLEN SOCKET MANUAL  
OVERRIDE LOCATED UNDER  
STICKER

MANUAL OVERRIDE SCREWS



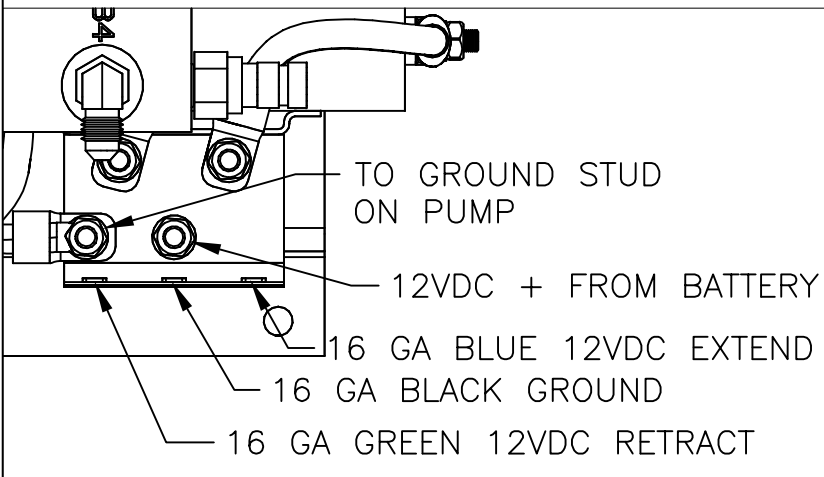
18GA BROWN 12VDC LEFT  
FRONT-16 GA BLACK GROUND

18GA WHITE 12VDC RIGHT  
FRONT-16 GA BLACK GROUND

18GA ORANGE 12VDC LEFT  
REAR-16 GA BLACK GROUND

18GA YELLOW 12VDC RIGHT  
REAR-16 GA BLACK GROUND

16GA BLACK GROUND &  
BATTERY GROUND



TO GROUND STUD  
ON PUMP

12VDC + FROM BATTERY

16 GA BLUE 12VDC EXTEND

16 GA BLACK GROUND

16 GA GREEN 12VDC RETRACT

*Equalizer*

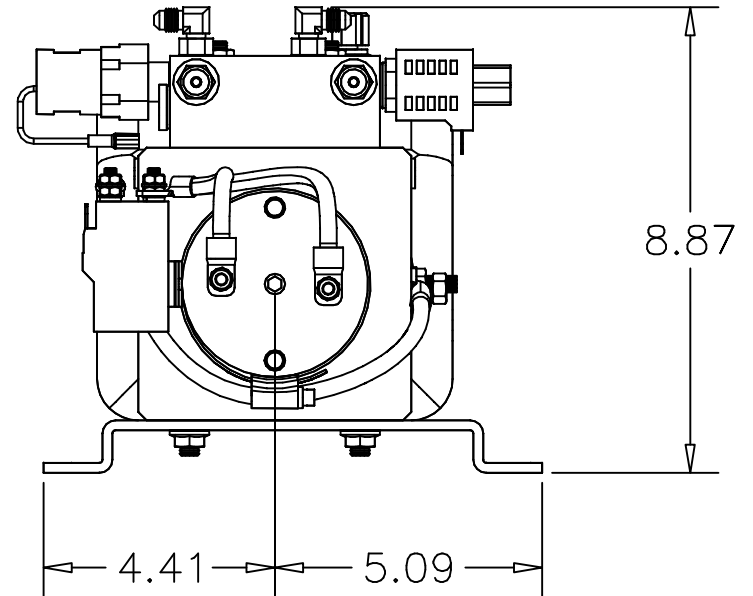
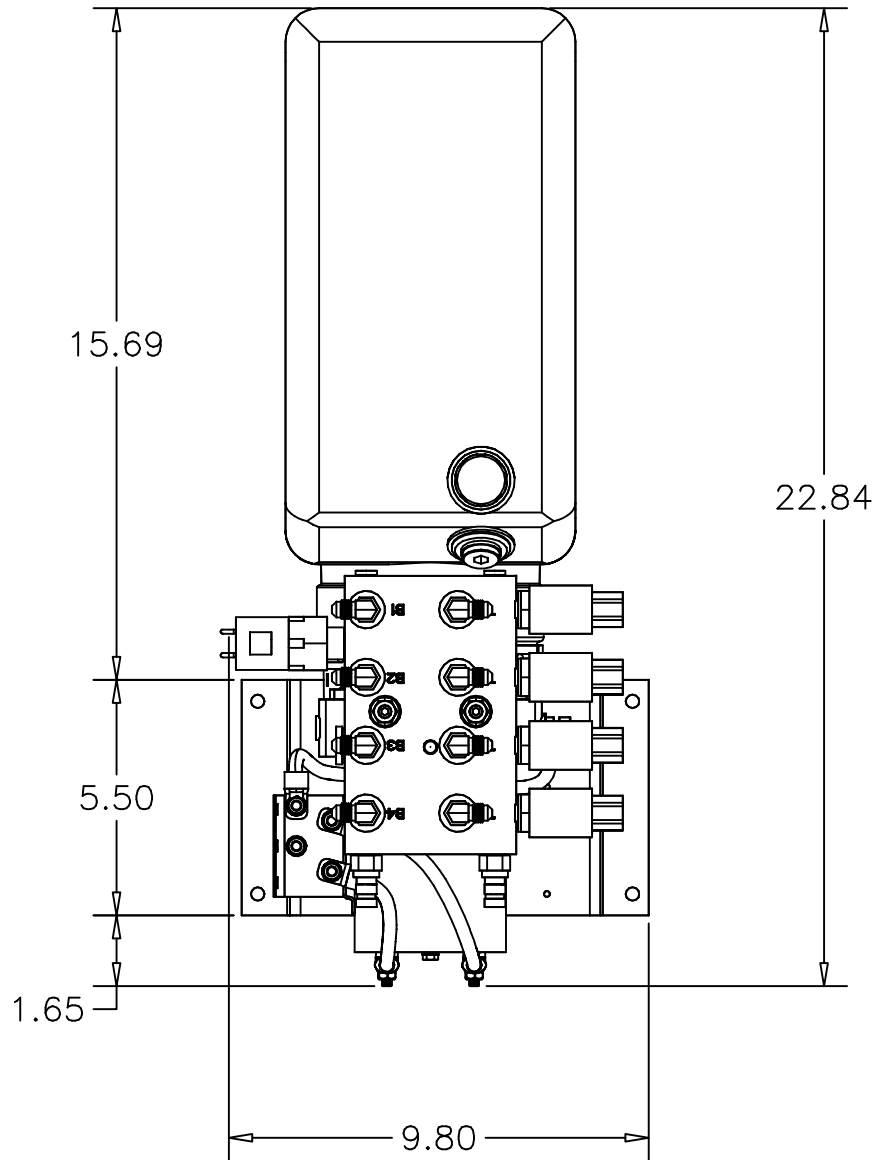
55169 COUNTY ROAD 3  
ELKHART, IN 46515

#	REVISIONS	BY:	DATE:

UNLESS OTHERWISE  
SPECIFIED:  
TOLERANCES:  
.XXX ± 0.010  
.XX ± 0.010  
.X ± 0.030  
ANG. ± 1/2"  
REMOVE ALL BURRS AND  
SHARP EDGES .015 MAX

TITLE		USED ON:	
4 FUNC. BIROT. PUMP ASSEMBLY		TRAILER AUTOLEVEL	
SIZE	SCALE	MATERIAL	NOTED
A	1:1	AS	NOTED
DRW BY:	DATE:	PART NAME:	
SJ	2/26/20	PUMP & MAN 4 FUN BR MOS-KEY	
APP'D BY:	DATE:	PAGE:	DWG NO.:
-	-	4 OF 5	PO209
REV:			
-			

NOTICE - This drawing, including principles of design, is the property of Days Corporation, Elkhart, Indiana, with the agreement that it is not to be reproduced, copied, or loaned in any manner that may constitute a detriment directly or indirectly to Days Corporation. Acceptance of this will be construed as an agreement of the above.



*Equalizer*

55169 COUNTY ROAD 3  
ELKHART, IN 46515

#	REVISIONS	BY:	DATE:

NOTICE - This drawing, including principles of design, is the property of Days Corporation, Elkhart, Indiana, with the agreement that it is not to be reproduced, copied, or loaned in any manner that may constitute a detriment directly or indirectly to Days Corporation. Acceptance of this will be construed as an agreement of the above.

UNLESS OTHERWISE SPECIFIED:  
TOLERANCES:  
.XXX ± 0.010  
.XX ± 0.010  
.X ± 0.030  
ANG. ± 1/2"  
REMOVE ALL BURRS AND SHARP EDGES .015 MAX

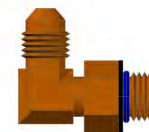
TITLE 4 FUNC. BIROT. PUMP ASSEMBLY		USED ON: TRAILER AUTOLEVEL	
SIZE A	SCALE 1:1	MATERIAL AS NOTED	
DRW BY: SJ	DATE: 2/26/20	PART NAME: PUMP & MAN 4 FUN BR MOS-KEY	
APP'D BY: -	DATE: -	PAGE: 5 OF 5	DWG NO.: PO209
			REV: -

70155 PARTS LIST

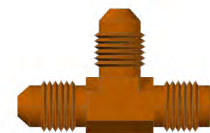
ITEM	PART#	DESCRIPTION	QUAN	COLOR CODE	LOCATION
1	2458	HOSE-3'	1	BROWN SOLID	PUMP PORT T1 TO TOP OF LF JACK
2	2459	HOSE-4'	1	BROWN STRIPE	PUMP PORT B1 TO BOTTOM OF LF JACK
3	2465	HOSE-10'	1	YELLOW SOLID (2 STICKERS)	TOP OF RM JACK TO TEE
4	2465	HOSE-10'	1	YELLOW SOLID (2 STICKERS)	TOP OF RR JACK TO TEE
5	2465	HOSE-10'	1	YELLOW STRIPE (2 STICKERS)	BOTTOM OF RM JACK TO TEE
6	2465	HOSE-10'	1	YELLOW STRIPE (2 STICKERS)	BOTTOM OF RR JACK TO TEE
7	2465	HOSE-10'	1	ORANGE SOLID (2 STICKERS)	TOP OF LM JACK TO TEE
8	2465	HOSE-10'	1	ORANGE SOLID (2 STICKERS)	TOP OF LR JACK TO TEE
9	2465	HOSE-10'	1	ORANGE STRIPE (2 STICKERS)	BOTTOM OF LM JACK TO TEE
10	2465	HOSE-10'	1	ORANGE STRIPE (2 STICKERS)	BOTTOM OF RM JACK TO TEE
11	2469	HOSE-14'	1	WHITE SOLID	PUMP PORT T2 TO TOP OF RF JACK
12	2469	HOSE-14'	1	WHITE STRIPE	PUMP PORT B2 TO BOTTOM OF RF JACK
13	3018	HOSE-26'	1	ORANGE SOLID	PUMP PORT T3 TO TEE
14	3018	HOSE-26'	1	ORANGE STRIPE	PUMP PORT B3 TO TEE
15	2482	HOSE-32'	1	YELLOW STRIPE	PUMP PORT B4 TO TEE
16	2482	HOSE-32'	1	YELLOW SOLID	PUMP PORT T4 TO TEE

7871FUZ PARTS LIST

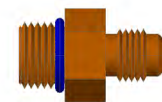
ITEM	PART#	DESCRIPTION	QUAN
17	1124	FITTING-#4 JIC X #4 OR MALE 90	6
18	1262	FITTING-UNION TEE	4
19	1403	FITTING-RESTRICTOR #6 X #4-042 ORIFICE	6



1124 FITTING



1262 FITTING



1403 FITTING

**Warranty authorization must come directly from Equalizer Systems. (800) 846-9659.**

*Equalizer*

55169 COUNTY ROAD 3  
ELKHART, IN 46515

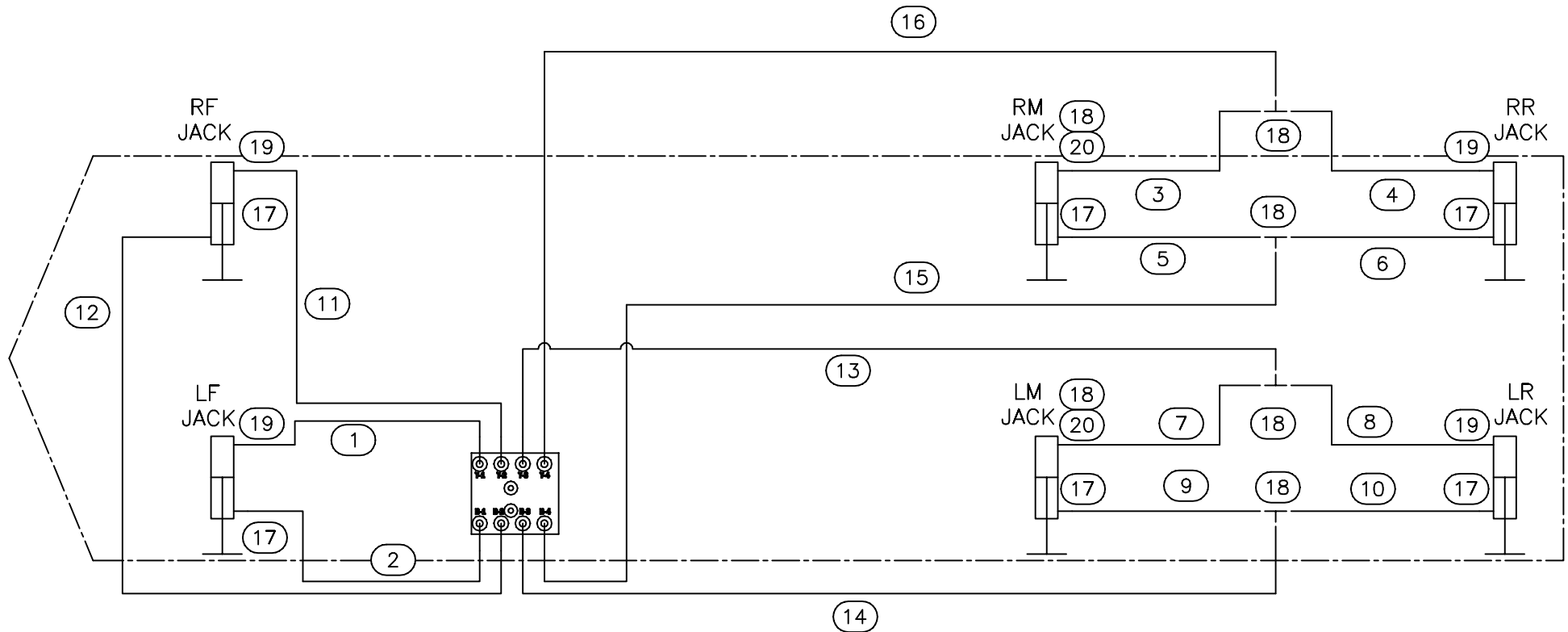
NOTICE - This drawing, including principles of design, is the property of Days Corporation, Elkhart, Indiana, with the agreement that it is not to be reproduced, copied, or loaned in any manner that may constitute a detriment directly or indirectly to Days Corporation. Acceptance of this will be construed as an agreement of the above.

#	REVISIONS	BY:	DATE:
A	Changed LF hose lengths & all hoses from pump to rear.	SJ	2/6/19
B	Changed RF hose lengths & all hoses with double stickers.	SJ	3/14/19
C	CHANGED FITTING KIT TO REMOVE 1190s.	SJ	1/20/21

UNLESS OTHERWISE SPECIFIED:  
TOLERANCES:  
.XXX ± 0.010  
.XX ± 0.010  
.X ± 0.030  
ANG. ± 1/2"  
REMOVE ALL BURRS AND SHARP EDGES .015 MAX

TITLE  
6 POINT LEVELING HOSE CHART  
SIZE SCALE MATERIAL  
A 1:1 AS  
DRW BY: DATE: 5/30/18  
APP'D BY: DATE: -

USED ON:  
FUZION  
PART NAME:  
HOSE KIT-8790 FUZION  
PAGE: 1 OF 2  
DWG NO.: 70155  
REV: C



**Warranty authorization must come directly from Equalizer Systems. (800) 846-9659.**

*Equalizer*

55169 COUNTY ROAD 3  
ELKHART, IN 46515

NOTICE - This drawing, including principles of design, is the property of Days Corporation, Elkhart, Indiana, with the agreement that it is not to be reproduced, copied, or loaned in any manner that may constitute a detriment directly or indirectly to Days Corporation. Acceptance of this will be construed as an agreement of the above.

#	REVISIONS	BY:	DATE:
A	Changed LF hose lengths & all hoses from pump to rear.	SJ	2/6/19
B	Changed RF hose lengths & all hoses with double stickers.	SJ	3/14/19
C	CHANGED FITTING KIT TO REMOVE 1190s.	SJ	1/20/21

UNLESS OTHERWISE SPECIFIED:  
TOLERANCES:  
.XXX ± 0.010  
.XX ± 0.010  
.X ± 0.030  
ANG. ± 1/2"  
REMOVE ALL BURRS AND SHARP EDGES .015 MAX

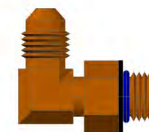
TITLE			USED ON:	
6 POINT LEVELING HOSE CHART			FUZION	
SIZE	SCALE	MATERIAL	NOTED	
A	1:1	AS		
DRW BY:	DATE:	PART NAME:		
SJ	5/30/18	HOSE KIT-8790 FUZION		
APP'D BY:	DATE:	PAGE:	DWG NO.:	REV:
-	-	2 OF 2	70155	C

70260 PARTS LIST

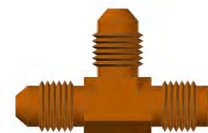
ITEM	PART#	DESCRIPTION	QUAN	COLOR CODE	LOCATION
1	2458	HOSE-3'	1	BROWN SOLID	PUMP PORT T1 TO TOP OF LF JACK
2	2459	HOSE-4'	1	BROWN STRIPE	PUMP PORT B1 TO BOTTOM OF LF JACK
3	2463	HOSE-8'	1	YELLOW SOLID (2 STICKERS)	TOP OF RM JACK TO TEE
4	2463	HOSE-8'	1	YELLOW SOLID (2 STICKERS)	TOP OF RR JACK TO TEE
5	2463	HOSE-8'	1	YELLOW STRIPE (2 STICKERS)	BOTTOM OF RM JACK TO TEE
6	2463	HOSE-8'	1	YELLOW STRIPE (2 STICKERS)	BOTTOM OF RR JACK TO TEE
7	2463	HOSE-8'	1	ORANGE SOLID (2 STICKERS)	TOP OF LM JACK TO TEE
8	2463	HOSE-8'	1	ORANGE SOLID (2 STICKERS)	TOP OF LR JACK TO TEE
9	2463	HOSE-8'	1	ORANGE STRIPE (2 STICKERS)	BOTTOM OF LM JACK TO TEE
10	2463	HOSE-8'	1	ORANGE STRIPE (2 STICKERS)	BOTTOM OF RM JACK TO TEE
11	2469	HOSE-14'	1	WHITE SOLID	PUMP PORT T2 TO TOP OF RF JACK
12	2469	HOSE-14'	1	WHITE STRIPE	PUMP PORT B2 TO BOTTOM OF RF JACK
13	2476	HOSE-22'	1	ORANGE SOLID	PUMP PORT T3 TO TEE
14	2476	HOSE-22'	1	ORANGE STRIPE	PUMP PORT B3 TO TEE
15	2535	HOSE-28'	1	YELLOW STRIPE	PUMP PORT B4 TO TEE
16	2535	HOSE-28'	1	YELLOW SOLID	PUMP PORT T4 TO TEE

7871FUZ PARTS LIST

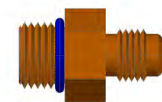
ITEM	PART#	DESCRIPTION	QUAN
17	1124	FITTING-#4 JIC X #4 OR MALE 90	6
18	1262	FITTING-UNION TEE	4
19	1403	FITTING-RESTRICTOR #6 X #4-042 ORIFICE	6



1124 FITTING



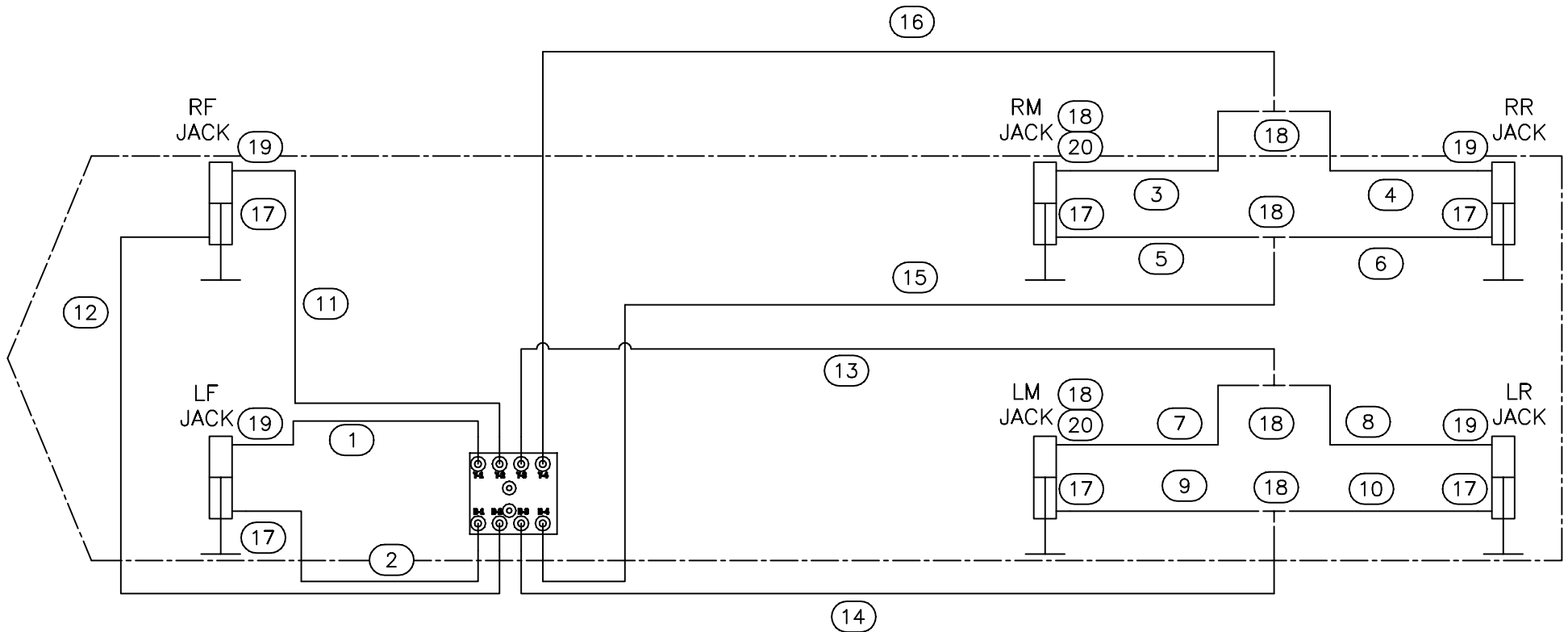
1262 FITTING



1403 FITTING

**Warranty authorization must come directly from Equalizer Systems. (800) 846-9659.**

	55169 COUNTY ROAD 3 ELKHART, IN 46515	#	REVISIONS	BY:	DATE:	UNLESS OTHERWISE SPECIFIED: TOLERANCES: .XXX ± 0.010 .XX ± 0.010 .X ± 0.030 ANG. ± 1/2"	TITLE		USED ON:	
		A	CHANGED FITTING KIT TO REMOVE 1190s.	SJ	1/20/21		6 POINT LEVELING HOSE CHART		FUZION	
NOTICE - This drawing, including principles of design, is the property of Days Corporation, Elkhart, Indiana, with the agreement that it is not to be reproduced, copied, or loaned in any manner that may constitute a detriment directly or indirectly to Days Corporation. Acceptance of this will be construed as an agreement of the above.						SIZE	SCALE	MATERIAL	NOTED	
						A	1:1	AS		
						DRW BY:	DATE:	PART NAME:		
						SJ	2/26/20	HOSE KIT-8842 FUZION		
						APP'D BY:	DATE:	PAGE:	DWG NO.:	REV:
						-	-	1 OF 2	70260	A

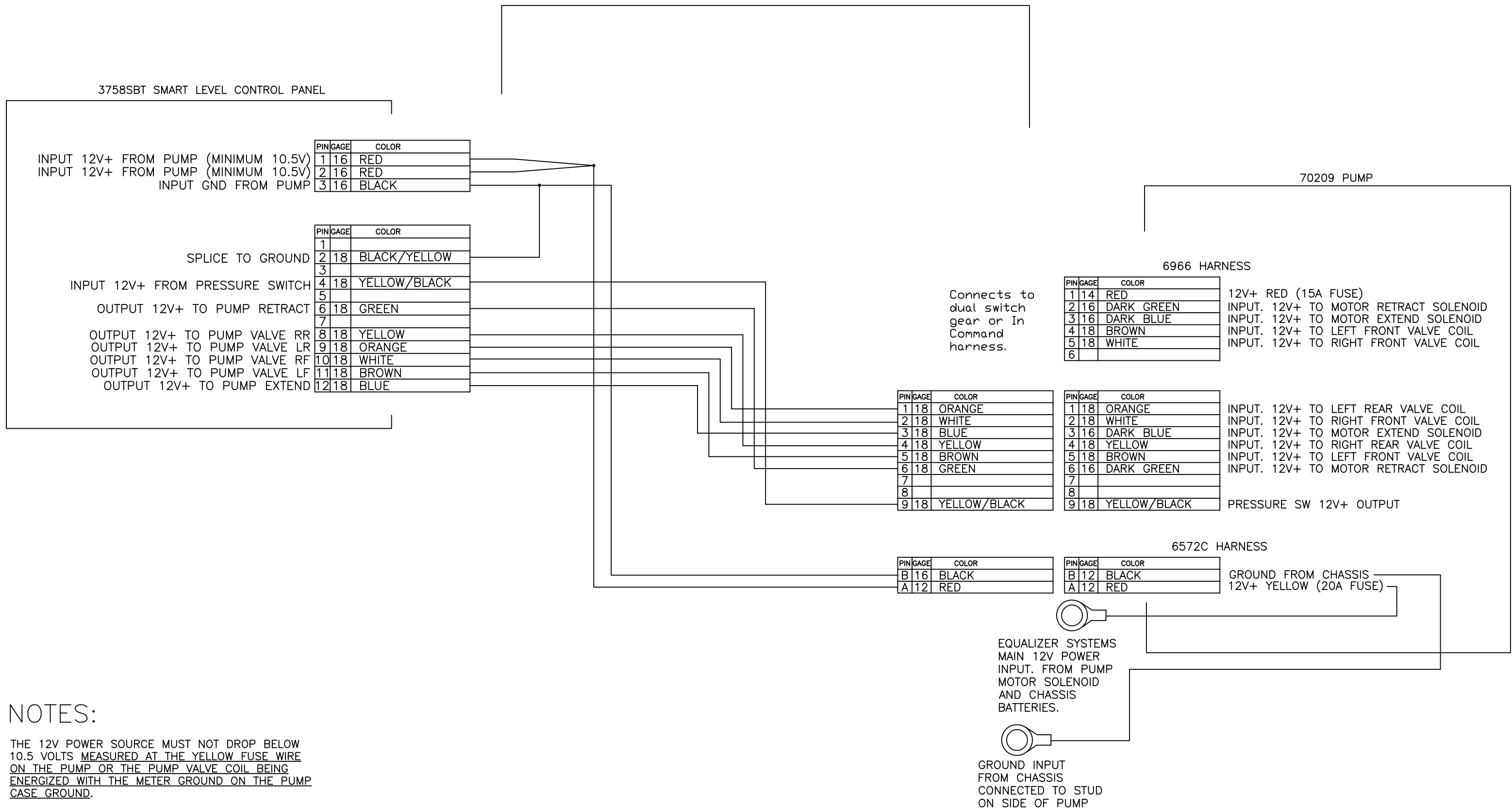


**Warranty authorization must come directly from Equalizer Systems. (800) 846-9659.**

<b>Equalizer</b> 55169 COUNTY ROAD 3 ELKHART, IN 46515	#	REVISIONS	BY:	DATE:	UNLESS OTHERWISE SPECIFIED: TOLERANCES: .XXX ± 0.010 .XX ± 0.010 .X ± 0.030 ANG. ± 1/2" REMOVE ALL BURRS AND SHARP EDGES .015 MAX	TITLE	USED ON:		
	A	CHANGED FITTING KIT TO REMOVE 1190s.	SJ	1/20/21		6 POINT LEVELING HOSE CHART	FUZION		
NOTICE - This drawing, including principles of design, is the property of Days Corporation, Elkhart, Indiana, with the agreement that it is not to be reproduced, copied, or loaned in any manner that may constitute a detriment directly or indirectly to Days Corporation. Acceptance of this will be construed as an agreement of the above.					SIZE	SCALE	MATERIAL	NOTED	
					A	1:1	AS		
						DRW BY:	DATE:	PART NAME:	
					SJ	2/26/20	HOSE KIT-8842 FUZION		
					APP'D BY	DATE:	PAGE:	DWG NO.:	REV:
					-	-	2 OF 2	70260	A



6150-3 PUMP TO CONTROL PANEL HARNESS



NOTES:

THE 12V POWER SOURCE MUST NOT DROP BELOW 10.5 VOLTS MEASURED AT THE YELLOW FUSE WIRE ON THE PUMP OR THE PUMP VALVE COIL BEING ENERGIZED WITH THE METER GROUND ON THE PUMP CASE GROUND.

ELKHART, IN 46515	#	REVISIONS	BY:	DATE:	UNLESS OTHERWISE SPECIFIED: TOLERANCES: .XXX ± 0.010 .XX ± 0.010 .X ± 0.030 ANG. ± 1/2"	TITLE	USED ON:
						EQ SMART LEVEL SCHEMATIC	KEYSTONE FUZION TRAILERS
NOTICE - This drawing, including principles of design, is the property of Days Corporation, Elkhart, Indiana, with the agreement that it is not to be reproduced, copied, or loaned in any manner that may constitute a detriment directly or indirectly to Days Corporation. Acceptance of this will be construed as an agreement of the above.					REMOVE ALL BURRS AND SHARP EDGES .015 MAX	SIZE SCALE MATERIAL: A 1: 1	
						DRW BY: DATE: SJ 2/26/20	PART NAME: 8790/8842 WIRING SCHEMATIC
							APP'D BY: DATE: - -
							REV: -